

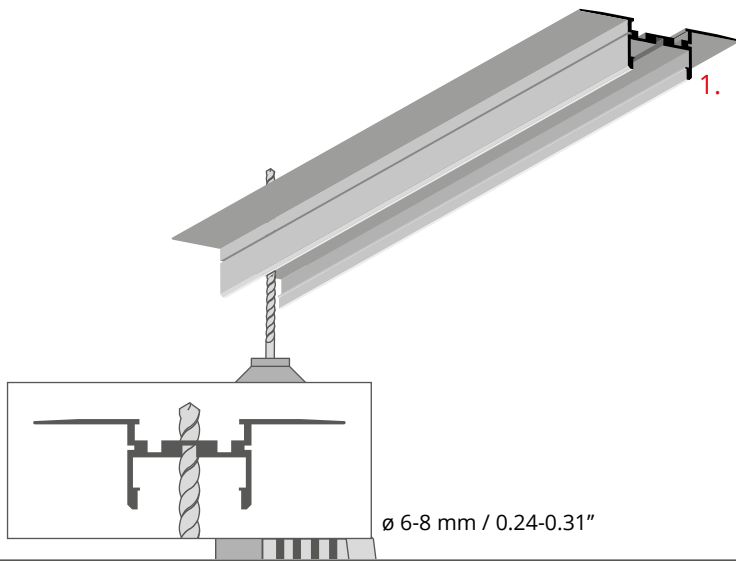
- | | |
|-------------------------------------|-----------------------|
| 1. GIZA-LL-UST profile (Ref. C2724) | 11. Ceiling fastener* |
| 2. GIZA-LL profile (Ref. C0758) | 12. LED tape* |
| 3. Connector* | 13. Cover* |
| 4. Gland* | |
| 5. End cap* | |
| 6. Protective insert* | |
| 7. Drywall screw | |
| 8. Power supply (12 V / 24 V)* | |
| 9. Fastener* | |
| 10. Steel wire* | |

*The full range of accessories and electronics is available at www.KlusDesign.com

NOTE! All LED tapes must be connected to a 12 V or 24 V power supply.

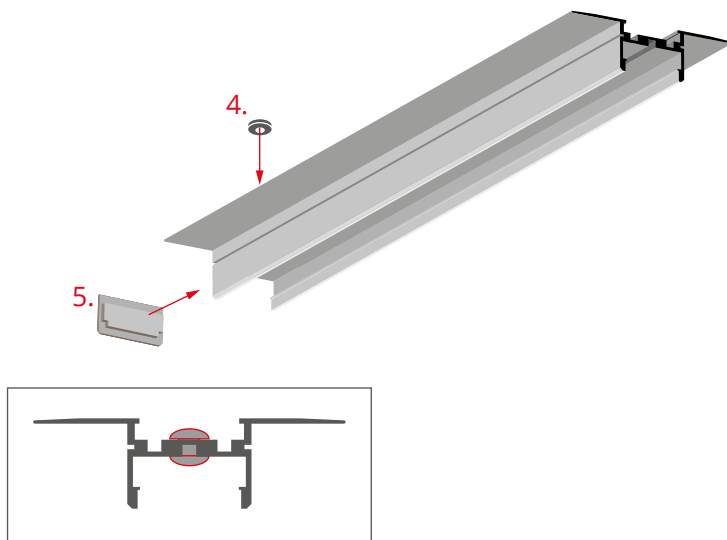
IMPORTANT: Not all possible mounting procedures are presented here. More mounting procedures and related accessories can be found at www.KlusDesign.com. Drawings of extrusions and accessories in these instructions are simplified and only approximate the actual shapes.

Ia



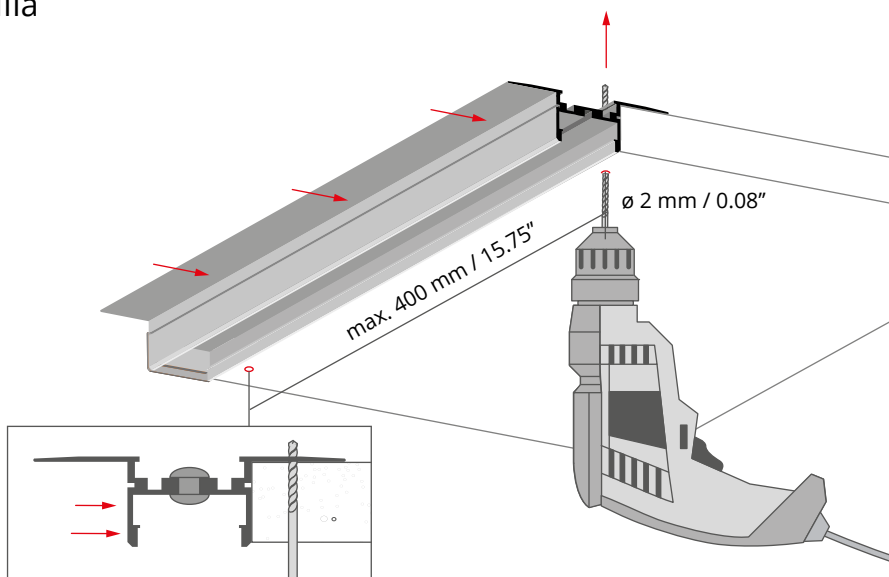
Drill a hole for the power cable in the GIZA-LL-UST (1) profile.

Ila



Attach the end cap (5) to the profile and install the gland (4) in the pre-drilled hole.

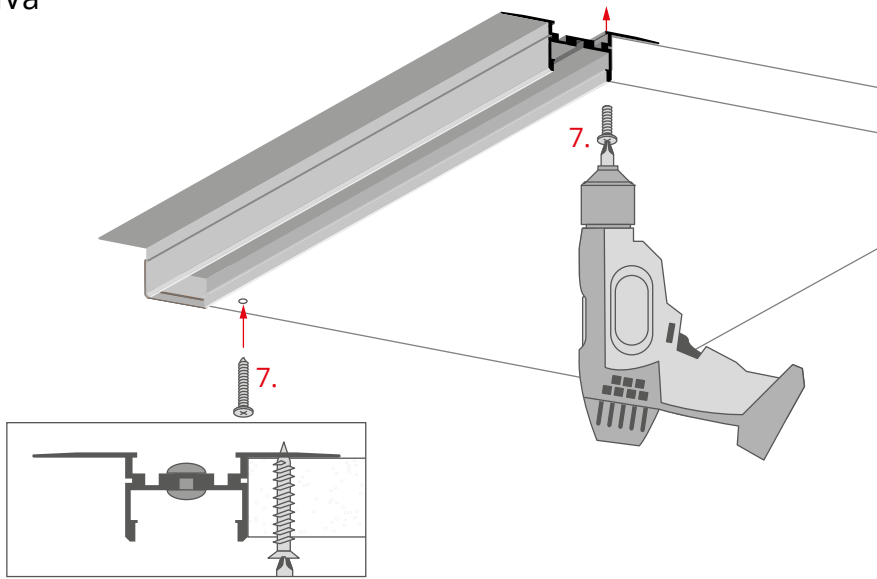
IIla



Place the profile on the edge of the drywall board and drill holes through the board and the profile's flange.

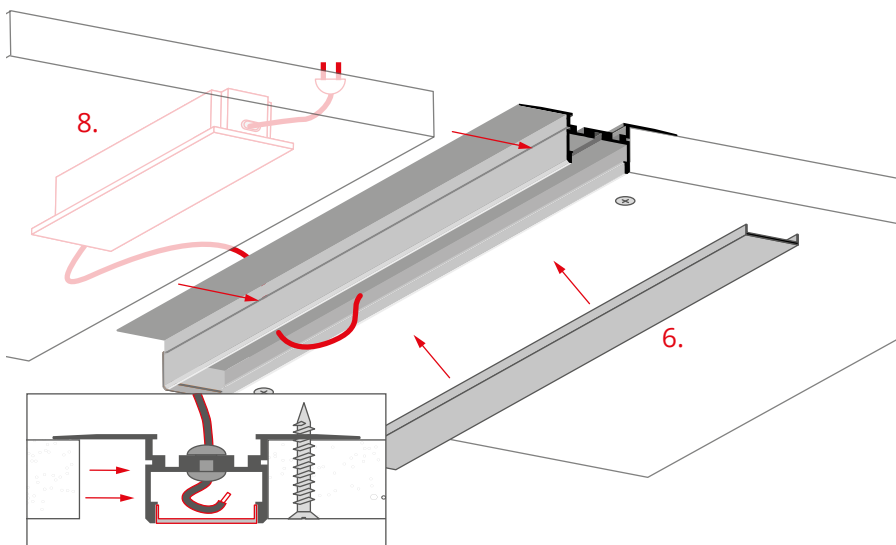
The maximum distance between the holes is 400 mm / 15.75\".

IVa



Insert the drywall screws (7) in the pre-drilled holes and screw the profile flange to the board.

Va

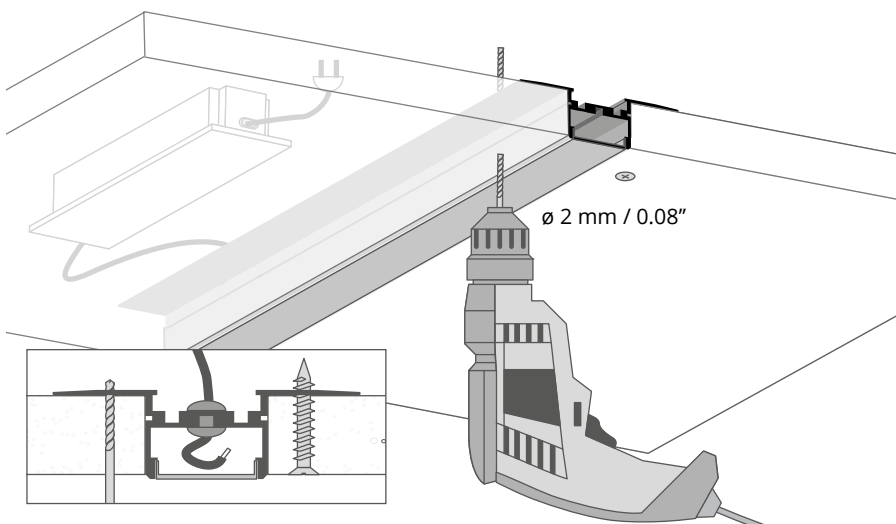


Route the cable from the power supply (8) through the gland.

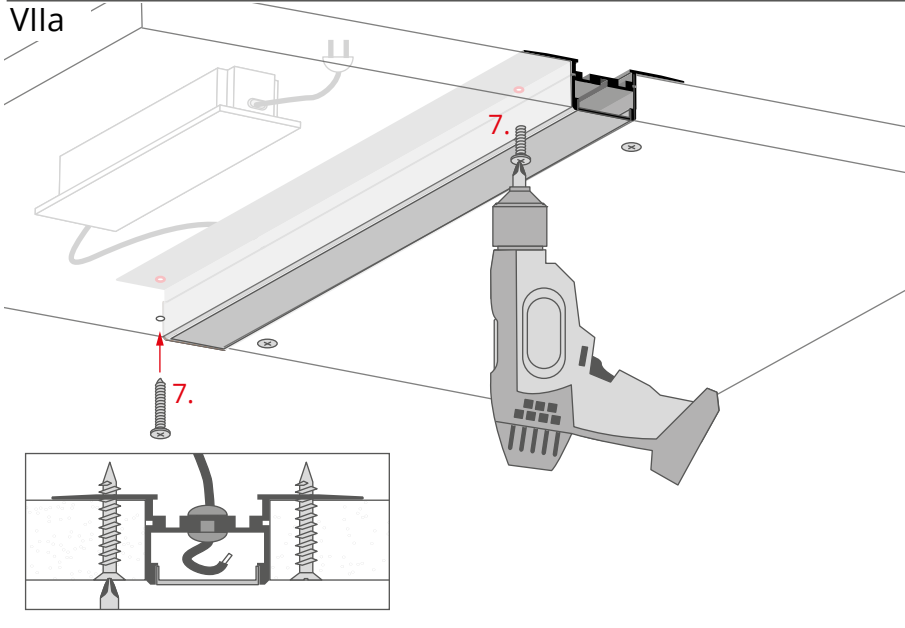
Install the protective insert (6) in the profile.

Mount the second board.

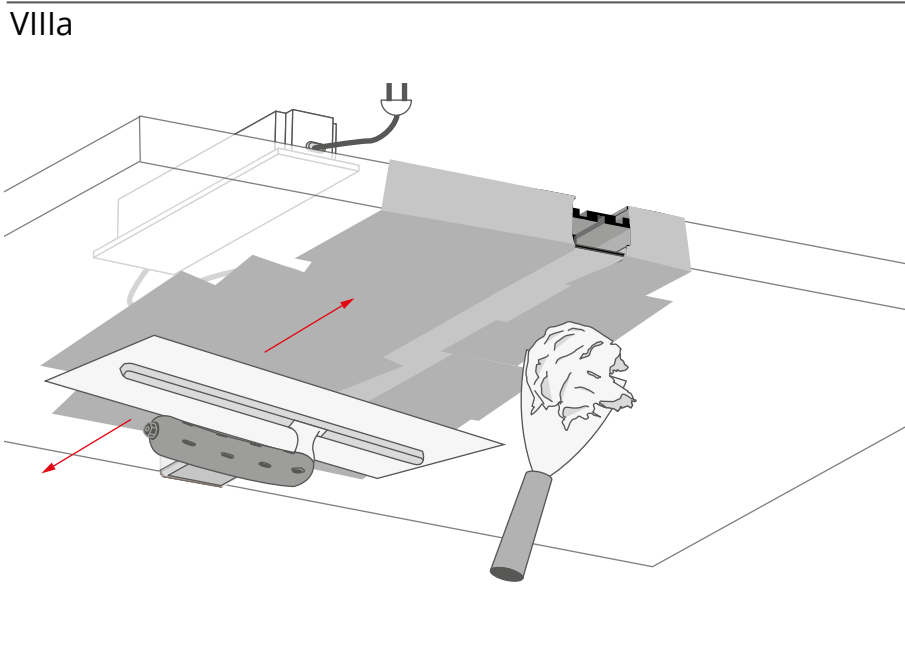
VIa



Drill holes in the second board and the profile's flange.



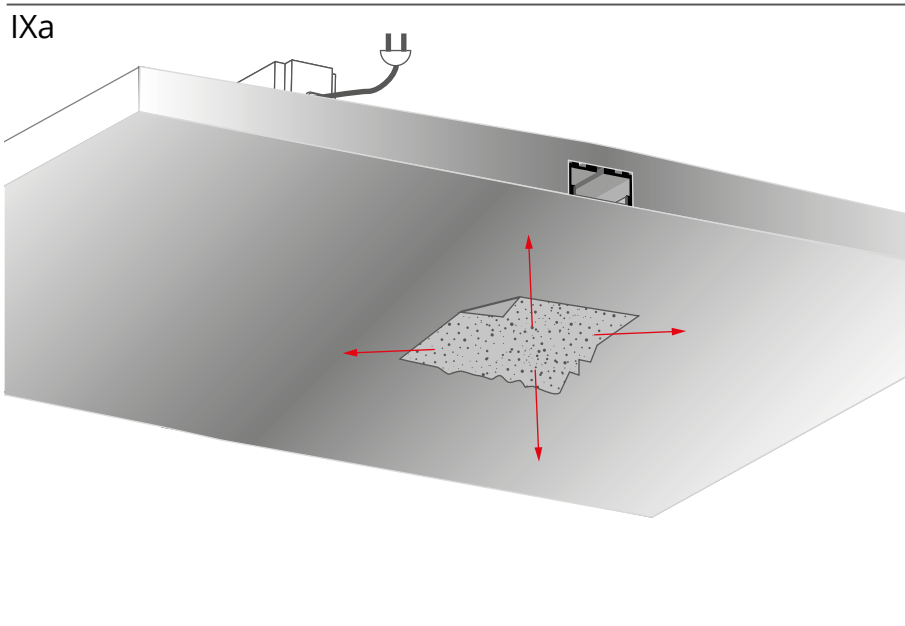
Insert the drywall screws (7) in the newly drilled holes and screw the second flange of the profile to the board.



Apply plaster.

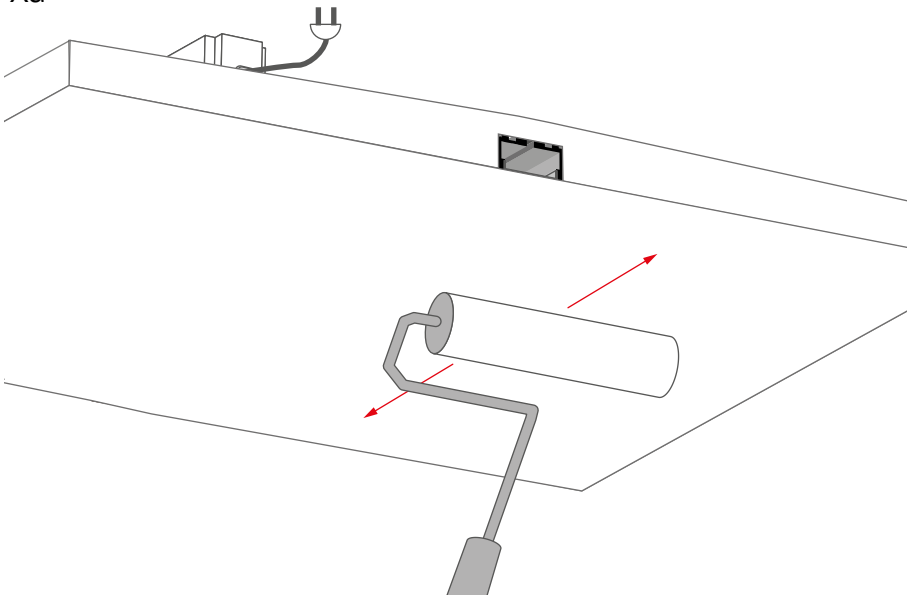
The protective insert keeps the inside of the profile clean.

Make the surface even.



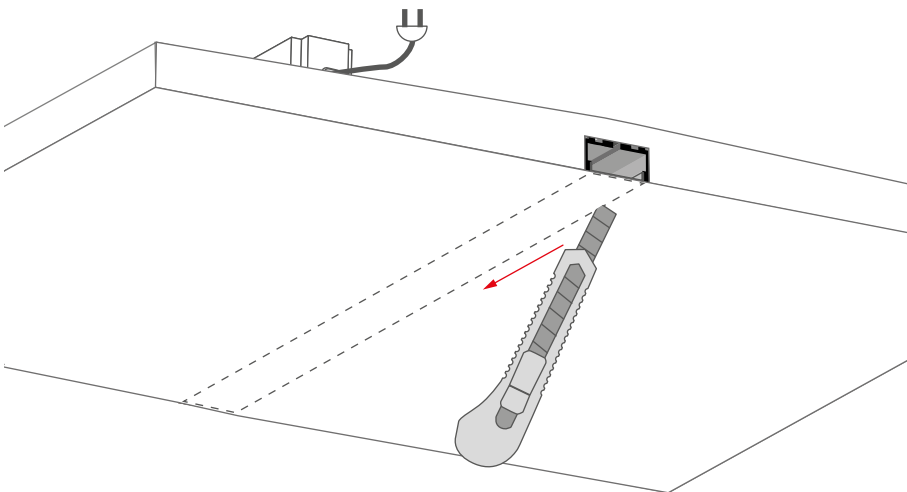
After the plaster has dried, sand the surface with sandpaper.

Xa



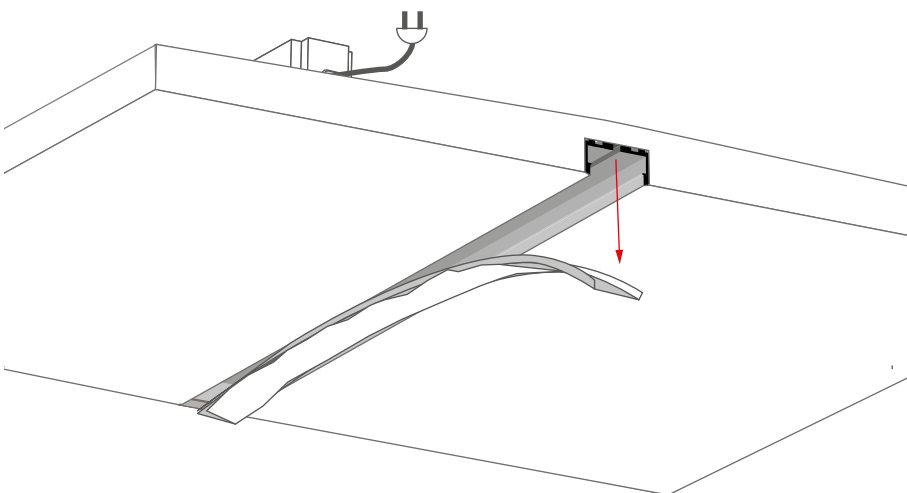
Paint the surface.

XIa



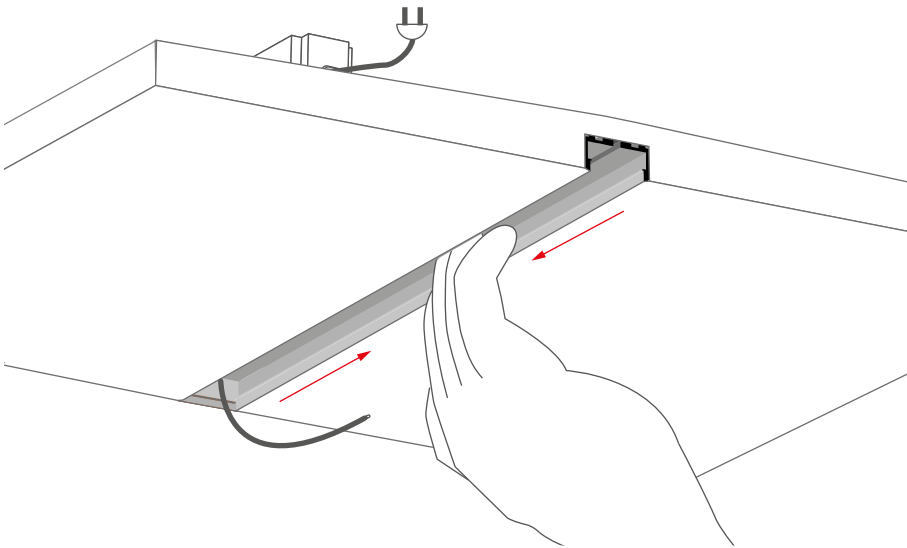
Cut layers of paint and plaster at the junction of the aluminum edge of the profile and the protective insert.

XIIa



Gently remove the protective insert.

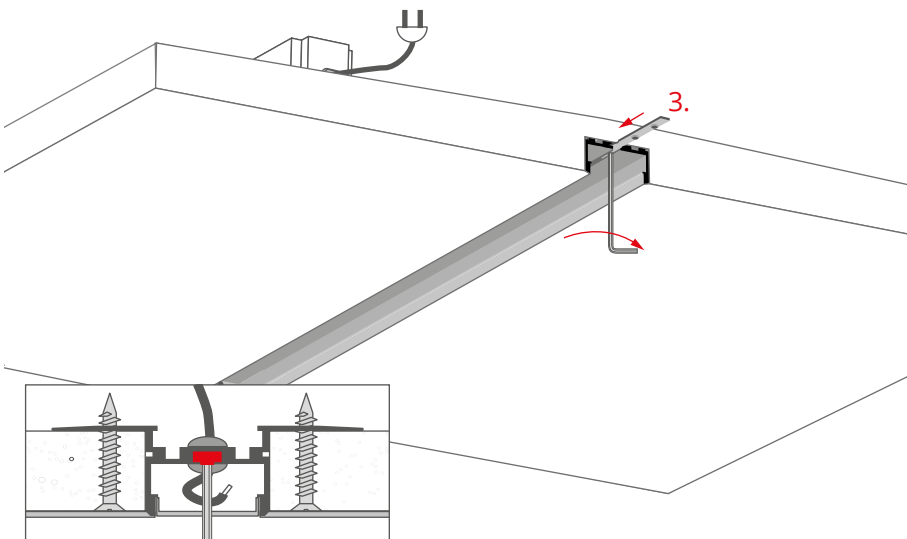
XIIIa



Smooth the edges of the profile.

Allow the power cable to extend from inside the profile.

XIVa

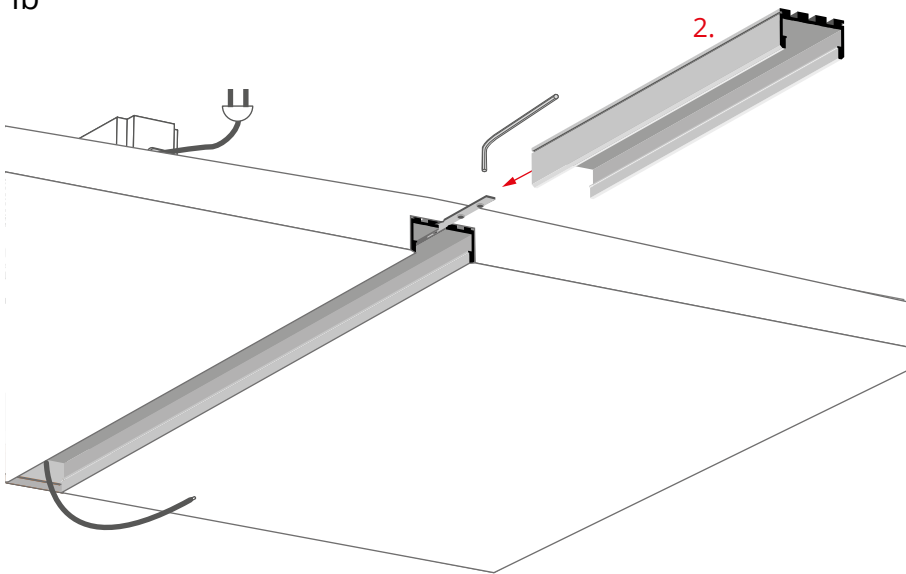


Insert the connector (3) into the channel inside the profile and tighten the locking bolts with an Allen key.

GIZA-LL-UST and GIZA-LL mounting instructions

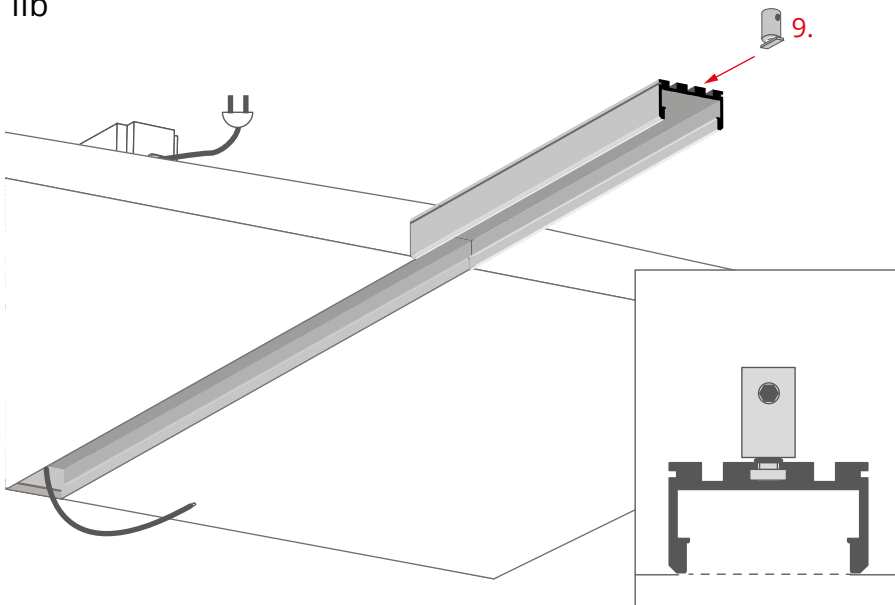
b) Mounting the GIZA-LL profile as an extension of the lighting fixture

Ib



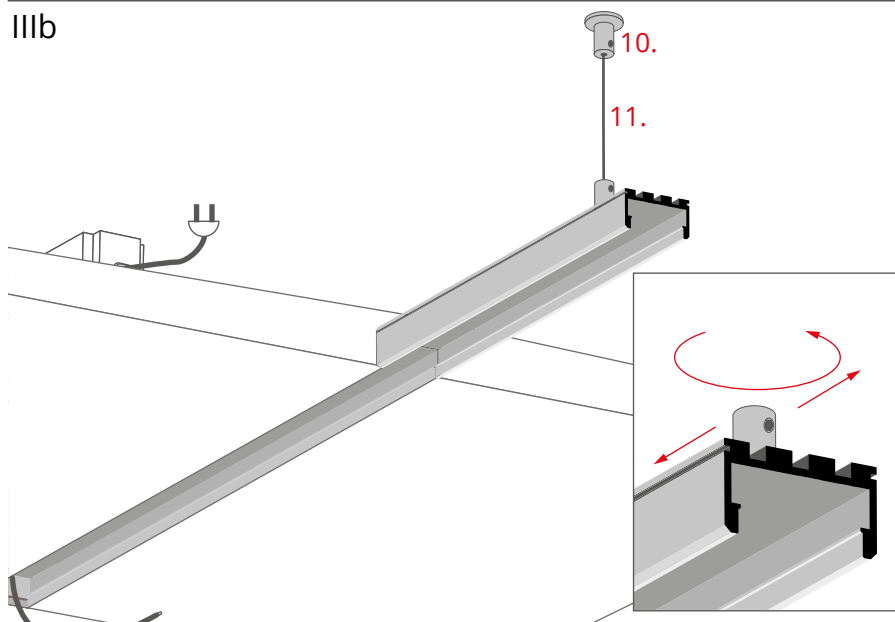
Slide the internal channel of the GIZA-LL profile (2) onto the protruding part of the connector. Finally tighten the connector screws with the Allen key.

IIb



Insert the fastener (9) into the top channel of the profile.

IIIb



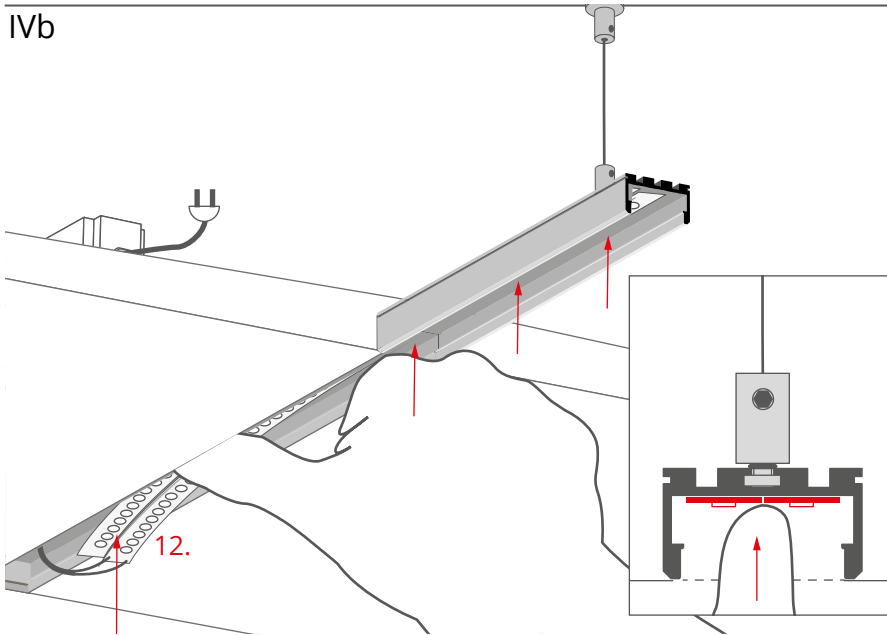
Connect the ceiling fastener (10) and the profile fastener with the wire (11).

(For more information on suspension systems, please visit our website).

GIZA-LL-UST and GIZA-LL mounting instructions

b) Mounting the GIZA-LL profile as an extension of the lighting fixture

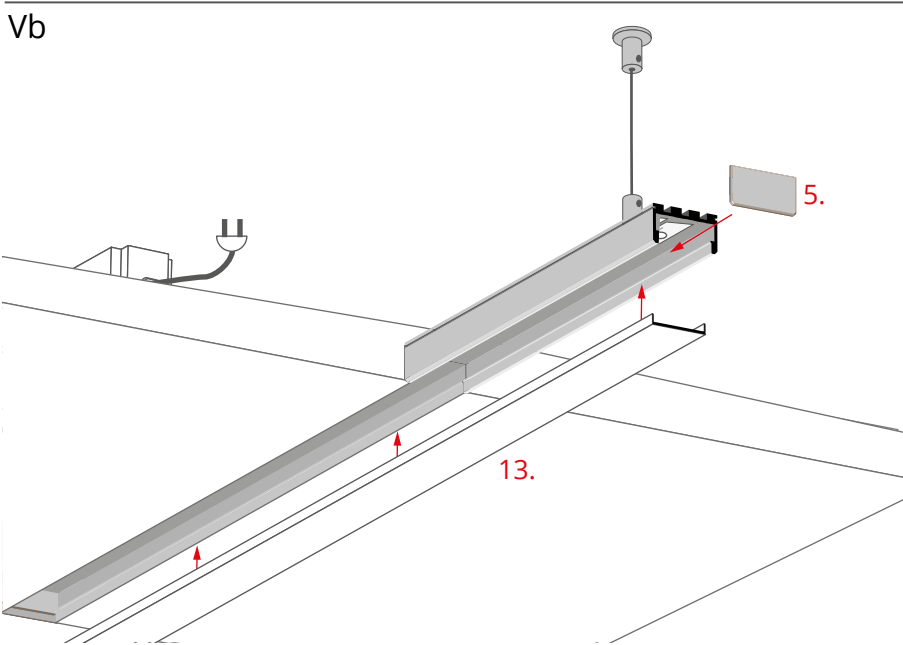
IVb



Connect the LED tapes to the power supply.

Insert the LED tape (12) in the profile.

Vb



Attach the end cap (5) and the cover (13).