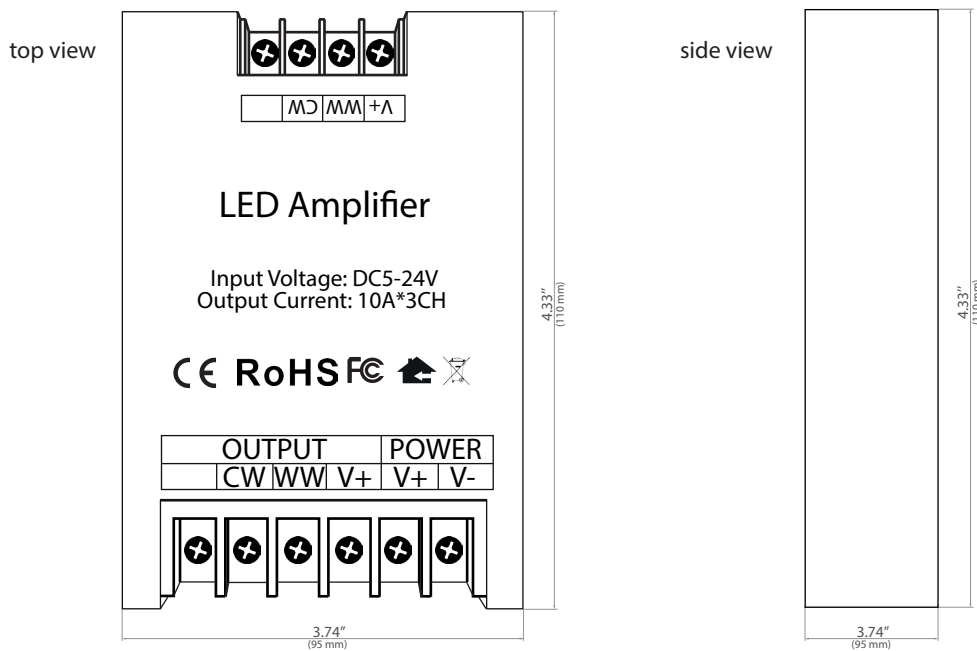


LED-ADW-A

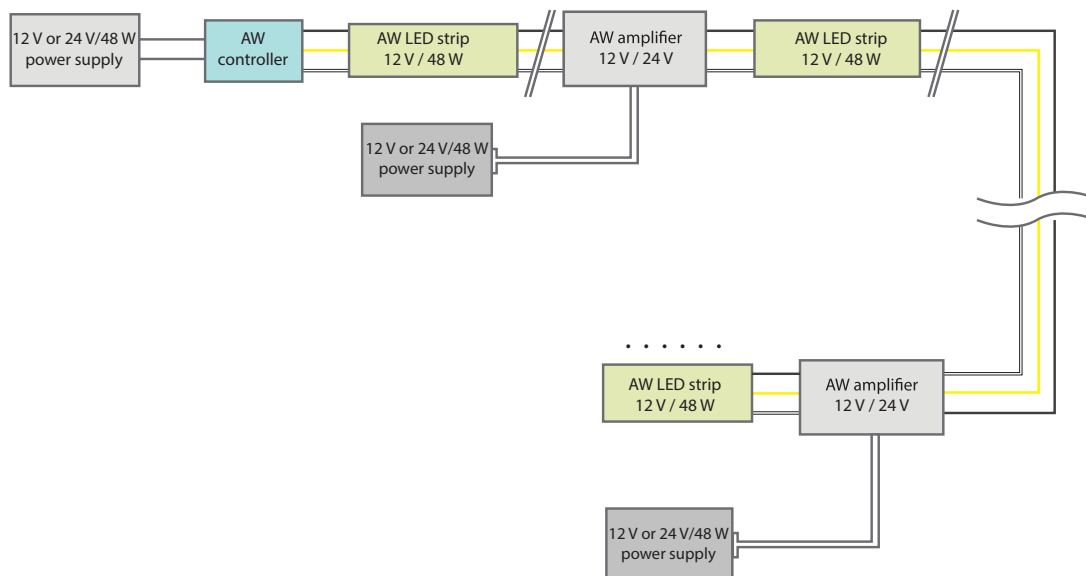
Adjustable White Controller

Typical Wiring Schematics

Product name	Output	Max. output Current	Max. Power	Working temperature	Size	Housing material	Color	Supply Voltage
Adjustable White LED Amplifier	channel #1	> 10 A	240 W (12 V)	-20°C to 60°C	L: 4.3" (110 mm) W: 3.7" (95 mm) H: 0.99" (25 mm)	Aluminium	Black	12 V/24 V
	channel #2	> 10 A	488 W (24 V)					



Adjustable White wiring example in series:



*Max run length between amps/control for wire is 40' unless wire heavier than 20 gauge is used.