



# Constant Voltage Electronic Phase Dimmable LED Driver

This Listed driver is an electronic Class 2, phase dimmable LED driver with a low profile aluminum case, making it the perfect choice for tape lighting, kick/cove lighting, under cabinet lighting and multiple other residential and commercial lighting applications. The UL Listed enclosure includes a wiring compartment with two ½" knockouts for easy installation, eliminating the need for a separate junction box. The driver features auto reset, over current and short circuit protection as well as an efficiency over 90% -- resulting in low operating case temperature. The driver is phase-dimmable down to 1% with leading edge TRIAC dimmers.



6.77" L x 2.67" W x 1.30"H



- Installation:** Surface-Mount Junction Box with Multiple ½" Knock-Outs
- Driver Types:** Class 2 Single Channel
- Dimming:** Phase Dimmable Down to 1% with Leading Edge TRIAC Dimmer
- Input Voltage:** 120VAC, 50/60Hz
- Output Voltage:** 12VDC or 24VDC Available
- Environmental:** NEMA 3R
- Listing:** UL Listed
- Certifications:** UL 8750, CSA C22.2 No. 250 13-14
- Warranty:** 5-Year

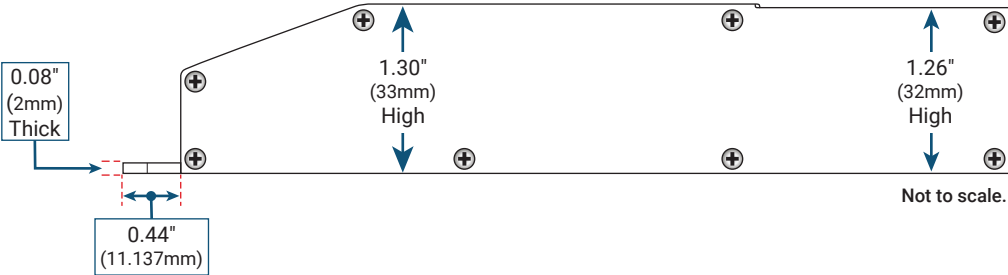
MEETS TITLE 24/JA8 REQUIREMENTS

CLASS 2 DIMMABLE DIM DOWN TO 1% FC

120VAC 12 / 24VDC cUL LISTED RoHS Compliant

## Ordering Guide

Part Numbers		Max Power	Dimming	Dimensions
12 Volt	24 Volt			
E-20-12	E-20-24V	20 Watt	Forward Phase	<b>Length:</b> 6.77" (171.9mm) <b>Width:</b> 2.67" (67.8mm) <b>Height:</b> 1.30" (33.0mm)
E-40-12	E-40-24V	40 Watt	Forward Phase	
E-60-12	E-60-24V	60 Watt	Forward Phase	
	E-75-24V	75 Watt	Forward Phase	
	E-96-24V	96 Watt	Forward Phase	



# Constant Voltage Electronic Phase Dimmable LED Driver

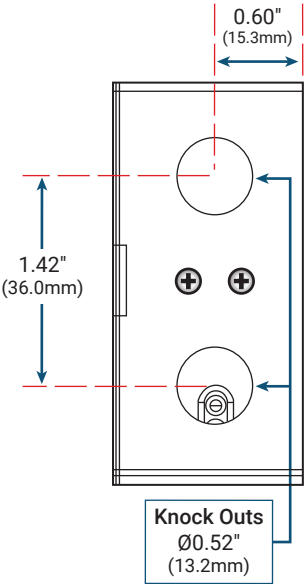
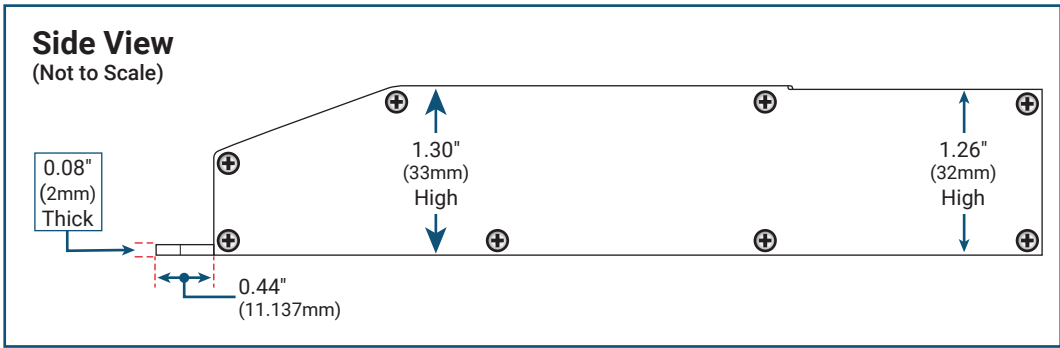
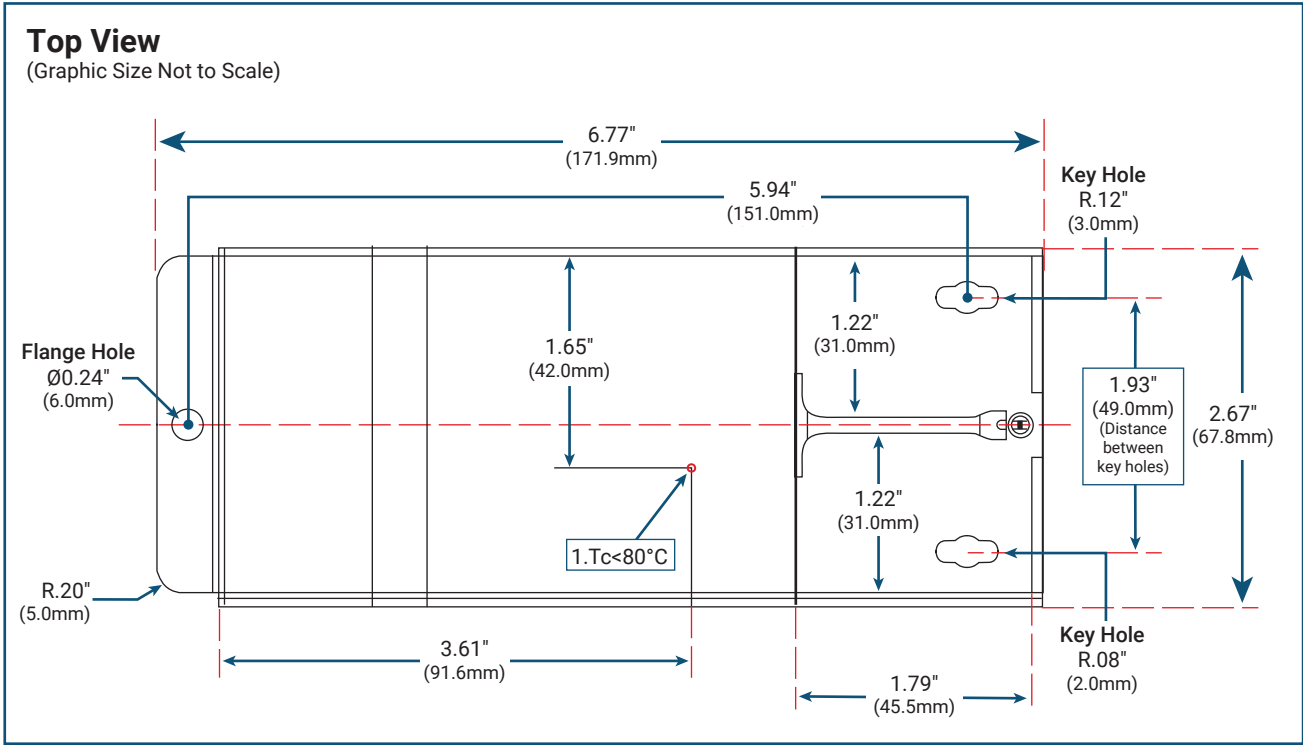
## Specifications

Part Numbers:	E-20-12 E-20-24V	E-40-12 E40-24V	E-60-12 E-60-24V	E-75-24V	E-96-24V
<b>Input</b>					
Input Voltage Range	120VAC ± 10%				
Input Frequency	50 / 60Hz	50 / 60Hz	50 / 60Hz	50 / 60Hz	50 / 60Hz
Input Current	0.20A@120VAC (12VDC) 0.20A@120VAC (24VDC)	0.41A@120VAC (12VDC) 0.41A@120VAC (24VDC)	0.61A@120VAC (12VDC) 0.61A@120VAC (24VDC)	0.72A@120VAC	0.85A@120VAC
Efficiency	> 90% (12VDC) > 90% (24VDC)	> 90% (12VDC) > 90% (24VDC)	> 90% (12VDC) > 90% (24VDC)	> 90%	> 90%
Power Factor	0.95				
<b>Output</b>					
Max Load	20W	40W	60W	75W	96W
Output Voltage @ Max Load	12.0VDC 24.0VDC	12.0VDC 24.0VDC	12.0VDC 24.0VDC	24.0VDC	24.0VDC
Output Current @ Max Load	1.7A (12VDC) 0.90A (24VDC)	3.50A (12VDC) 1.75A (24VDC)	5.00A (12VDC) 2.63A (24VDC)	3.3A	4.16A
<b>Environmental</b>					
Max Ambient Temperature	-30°C - +65°C (-22°F - 122°F)				
<b>Dimming</b>					
Minimum Dimming Level	1%				
<b>Protection</b>					
Circuit Breaker	Short Circuit & Over-Voltage Auto-Reset				
<b>Mechanical Housing</b>					
Primary Leads	18 AWG				
Secondary Leads	14 AWG				
Length	6.77" (171.9mm)				
Width	2.67" (67.8mm)				
Height	1.30" (33.0mm)				
Weight	9 oz. (255g)				
Housing Material	Coated Metal				
Housing Color	Black				
Junction Box	Yes				
Mounting	One-Hole Flange Mount, 2 Key Holes in Wire Housing				
<b>Approval Markings</b>					
Certificates/Approval Signs	UL8750 Class 2				



# Constant Voltage Electronic Phase Dimmable LED Driver

## Mechanical Diagrams

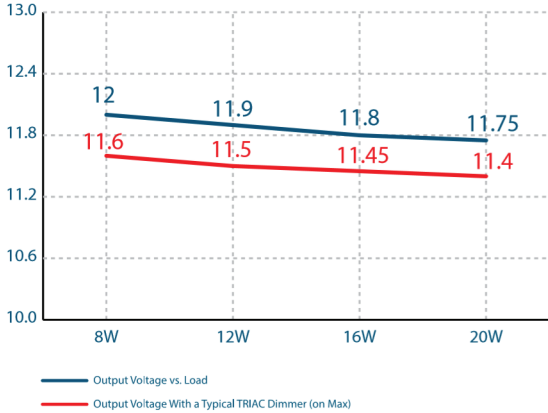




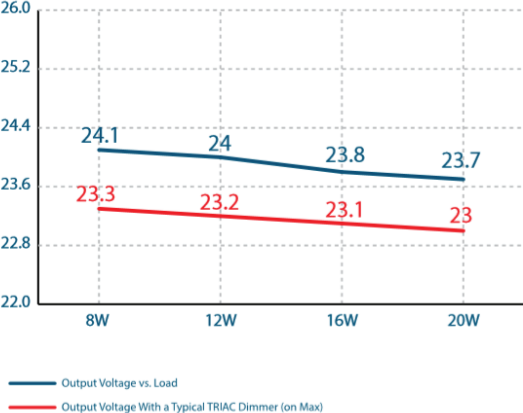
# Constant Voltage Electronic Phase Dimmable LED Driver

## Load Regulation

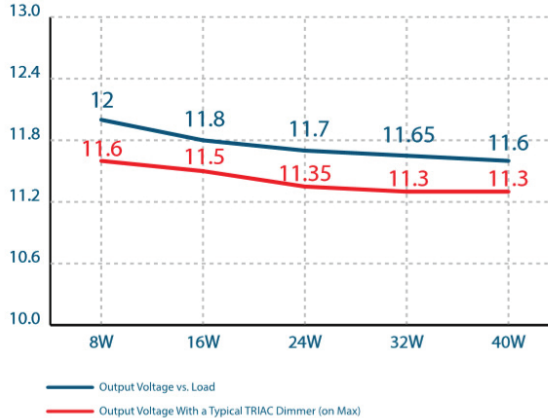
20W (12VDC)



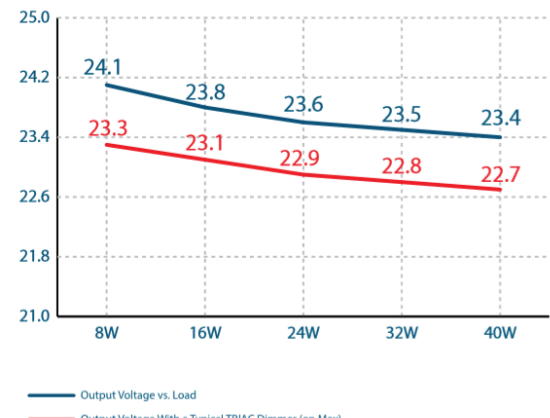
20W (24VDC)



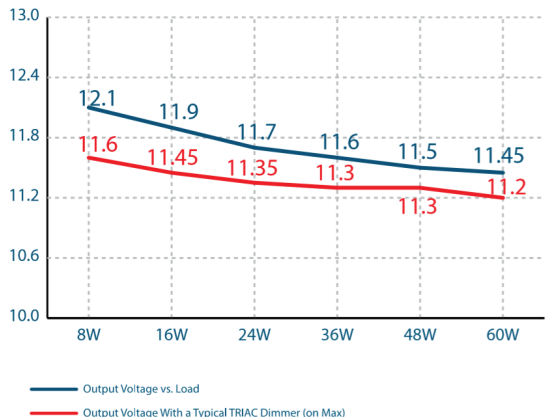
40W (12VDC)



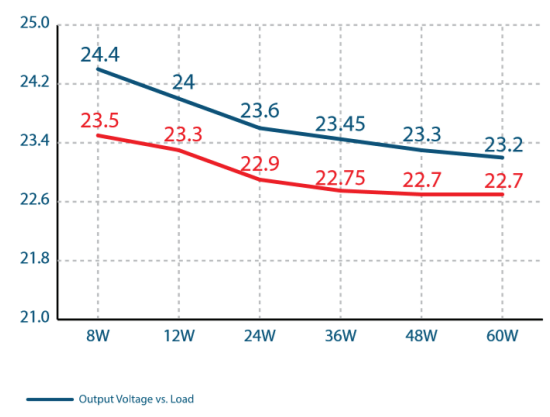
40W (24VDC)



60W (12VDC)



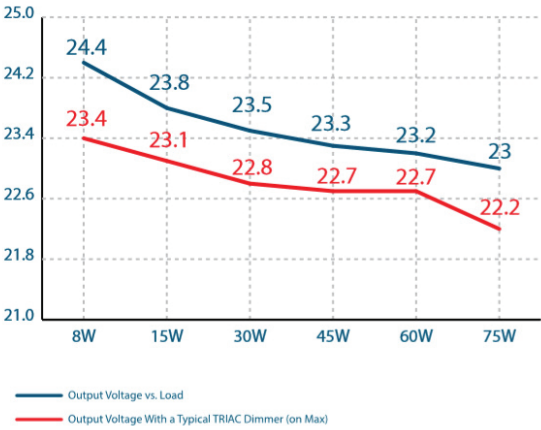
60W (24VDC)



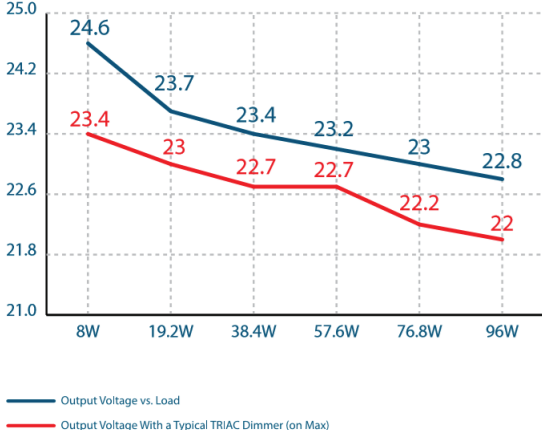
# Constant Voltage Electronic Phase Dimmable LED Driver

## Load Regulation

75W (24VDC)



96W (24VDC)

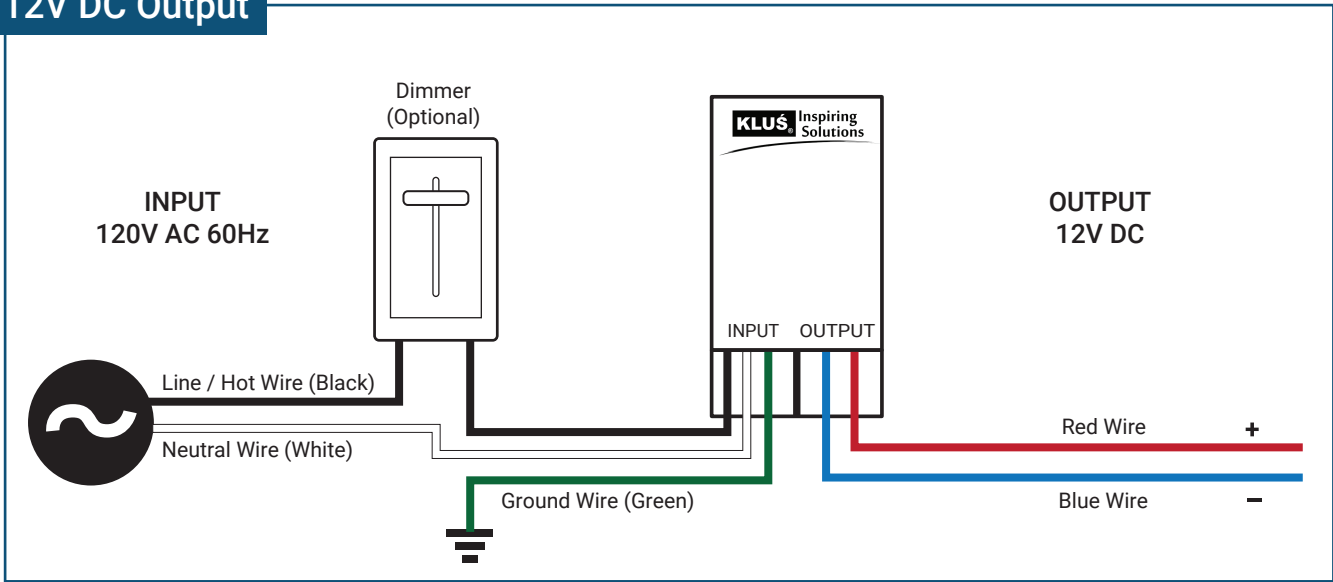




# Constant Voltage Electronic Phase Dimmable LED Driver

## Wiring Diagrams

### 12V DC Output



### 24V DC Output

