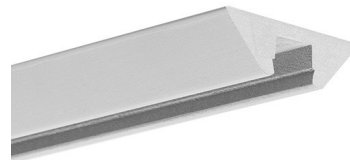


PRODUCT DESCRIPTION

- Simple design and functionality
- Interior housing for flexible or hard LED strips that are 8-10 mm wide (0.39")
- Small dimensions, lightweight
- Easy assembly, environment friendly
- Extrusions frame forms 90 degree angle



FINISH :

Grey MDF 

Fill empty fields

Product nr.	
Fixture type	
Company	
Job name	
Date	

TECHNICAL SPECIFICATION

Application

- for surface mounting in existing furniture, built-ins, etc.

Assembly

- with mounting adhesive

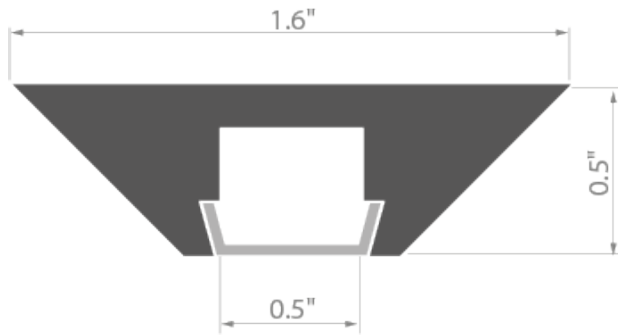
Additional information

- designated for interior use, especially as an integrated part of furniture pieces, to light or illuminate cabinets, glass-cases, shelving etc
- MDF extrusion cannot be exposed to extreme heat, humidity or water

Turn off LED lights during peak day light hours in outdoor applications to avoid excessive heat buildup which will result in diminished LED life.

Mounting method	Surface
Application	furniture lighting
Material	MDF
Finish	Grey MDF
place of installation	indoor installation
Mounting method	surface mount (simple installation)
Number of LED strips	1

TECHNICAL DRAWING



RELATED PRODUCTS

COVERS



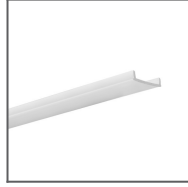
HS Cover clear
Ref: 1370

50°



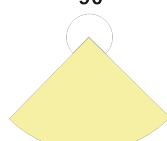
HS Cover frosted
Ref: 1369

100°



KA-BIS Cover
frosted
Ref: 17071

90°



END CAPS



3D STOS-MDF End
Cap
Ref: 0958



3D STOS-MDF End
Cap with hole
Ref: 1450